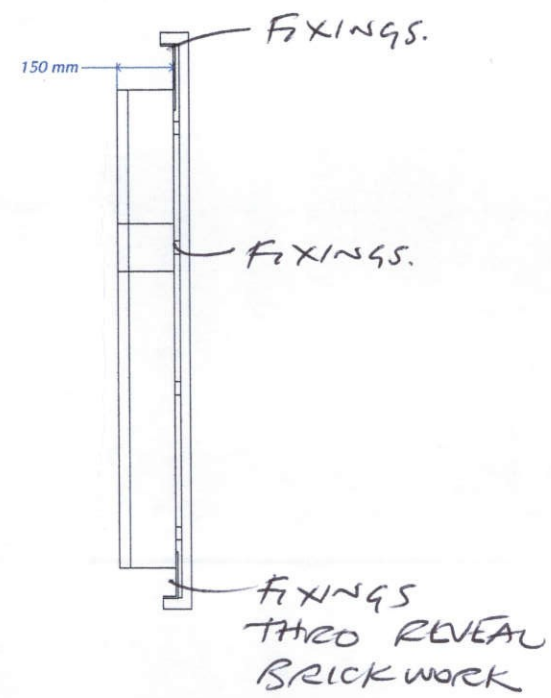
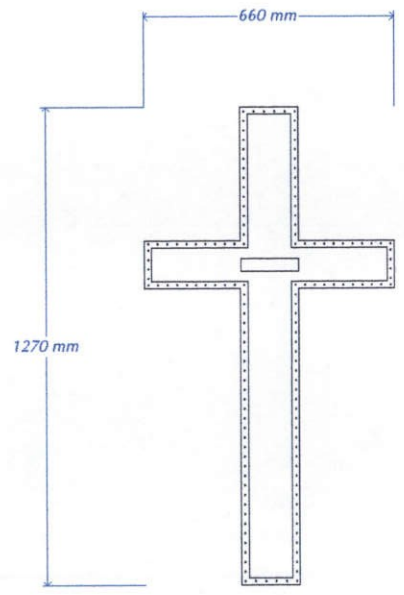
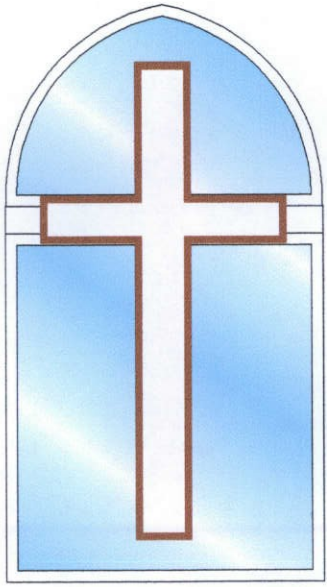




DESIGN • MANUFACTURE • INSTALL  
 121 OAK STREET NORWICH NR3 3BP  
 TELEPHONE (01603) 627573/625659  
 FAX (01603) 619954  
 www.admiralsigns.co.uk  
 email: info@admiralsigns.co.uk

Scale 1:20 at A4



JOB DESCRIPTION .....  
 OUR REF .....  
 CLIENT CONTACT .....

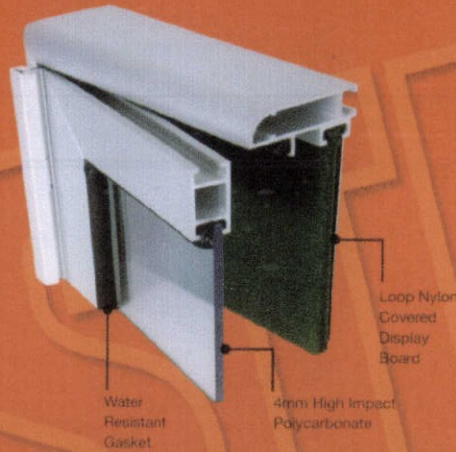
COPYRIGHT 2008 Designs / Prototypes are Confidential  
 WRITTEN PERMISSION FROM ADMIRAL SIGNS LTD  
 Must be Obtained Before Disclosure or Reproduction  
 in any Form or Content by Third Parties

PLEASE SIGN & APPROVE .....  
 AMENDMENTS / INSTRUCTIONS .....



MEMBER

## SELECT Single Door



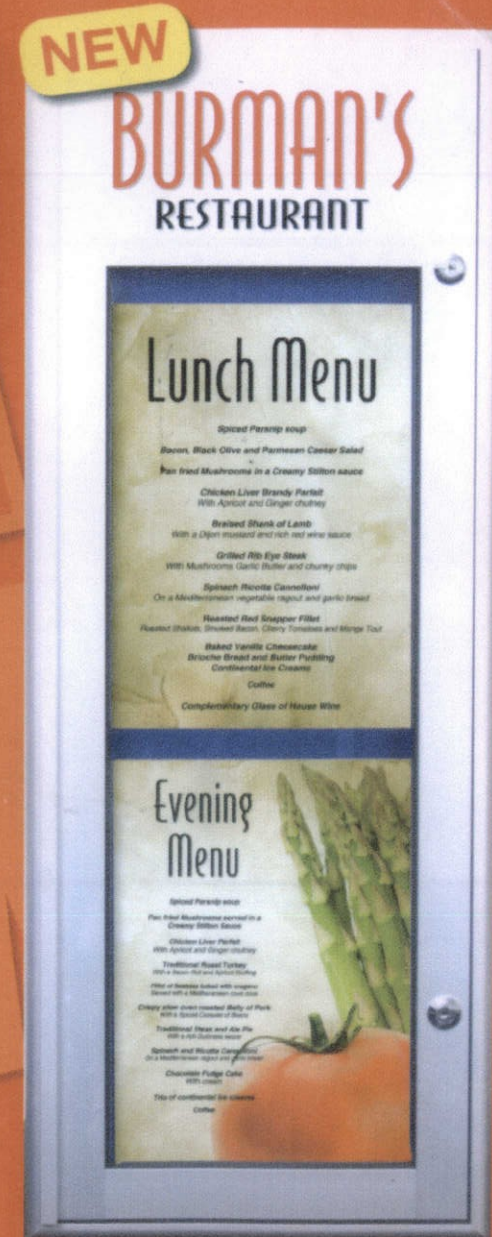
## SELECT Double Door



## 52mm deep LED unit



## SELECT Logo



### Features

- All units 52mm deep
- All units with loop nylon backing
- Two styles - 'SELECT' and 'SELECT LOGO'
- **NEW** Optional lightweight magnetic backing under loop nylon
- Secure locking system
- Strong weather resistant construction
- Illuminated version features low energy, low heat, LED lighting system
- Satin anodised aluminium or we can powder coat to a stock RAL colour
- 4mm polycarbonate glazing fitted into gasket

ADMIRAL SIGNS  
01603-627573

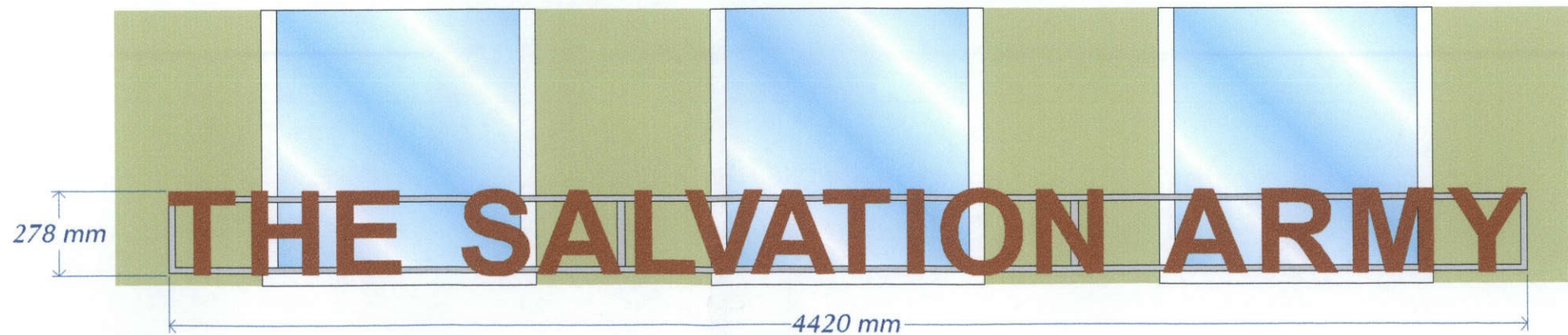
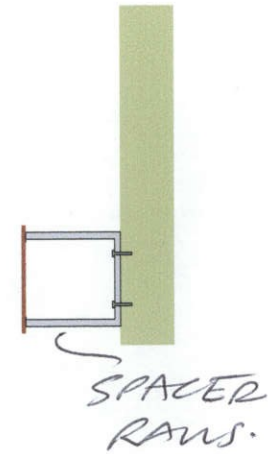
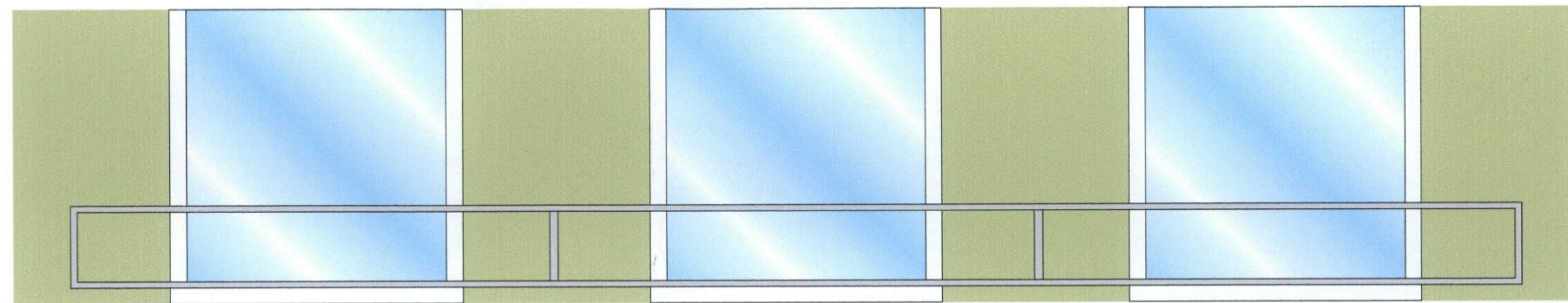


DESIGN • MANUFACTURE • INSTALL

121 OAK STREET NORWICH NR3 3BP  
 TELEPHONE (01603) 627573/625659  
 FAX (01603) 619954

www.admiralsigns.co.uk  
 email: info@admiralsigns.co.uk

Scale 1:20 at A3



JOB DESCRIPTION .....

OUR REF .....

CLIENT CONTACT .....

COPYRIGHT 2008 Designs / Prototypes are Confidential  
 WRITTEN PERMISSION FROM ADMIRAL SIGNS LTD  
 Must be Obtained Before Disclosure or Reproduction  
 in any Form or Content by Third Parties

PLEASE SIGN & APPROVE .....

AMENDMENTS / INSTRUCTIONS .....



BRITISH SIGN  
 & GRAPHICS  
 ASSOCIATION



MEMBER