

# Advertisement Consent Drawing

Advertisement Consent Application for Internally Illuminated Display Screens

© Copyright 2024 BDA Architecture. All rights reserved. BDA is a trading name of BDA Architecture. The drawings are copyright of BDA. No unauthorised copying without prior consent of BDA. Attention is drawn to the owner / builder to consult with neighbouring owners before any work is carried out with regard to the Party Wall Act 1996. REPORTING NOTE: Works to be fully compliant with the CDM 2015 Regulations.



EXISTING FRONT ELEVATION 1:50



PROPOSED FRONT ELEVATION 1:50

4 x wall-mounted outdoor digital advertising displays fixed to brick piers on front elevation.

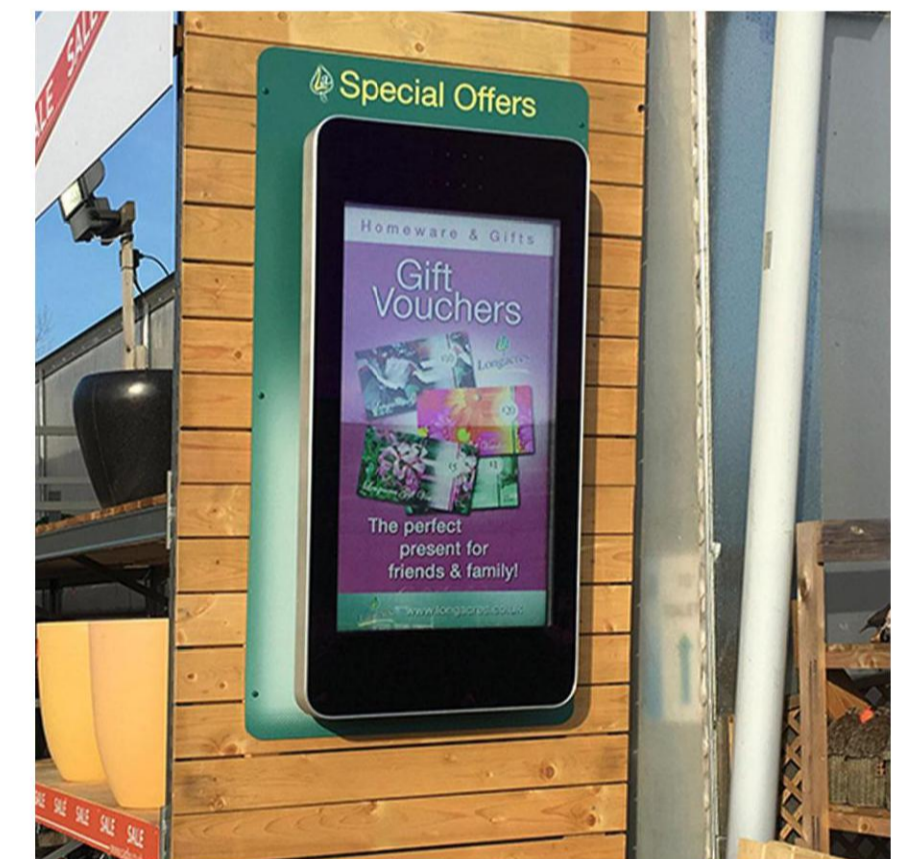
Display screens positioned 1715mm from ground level (at lowest point) to avoid vandalism.

**32inch Wall-mounted Outdoor Digital Advertising Display**

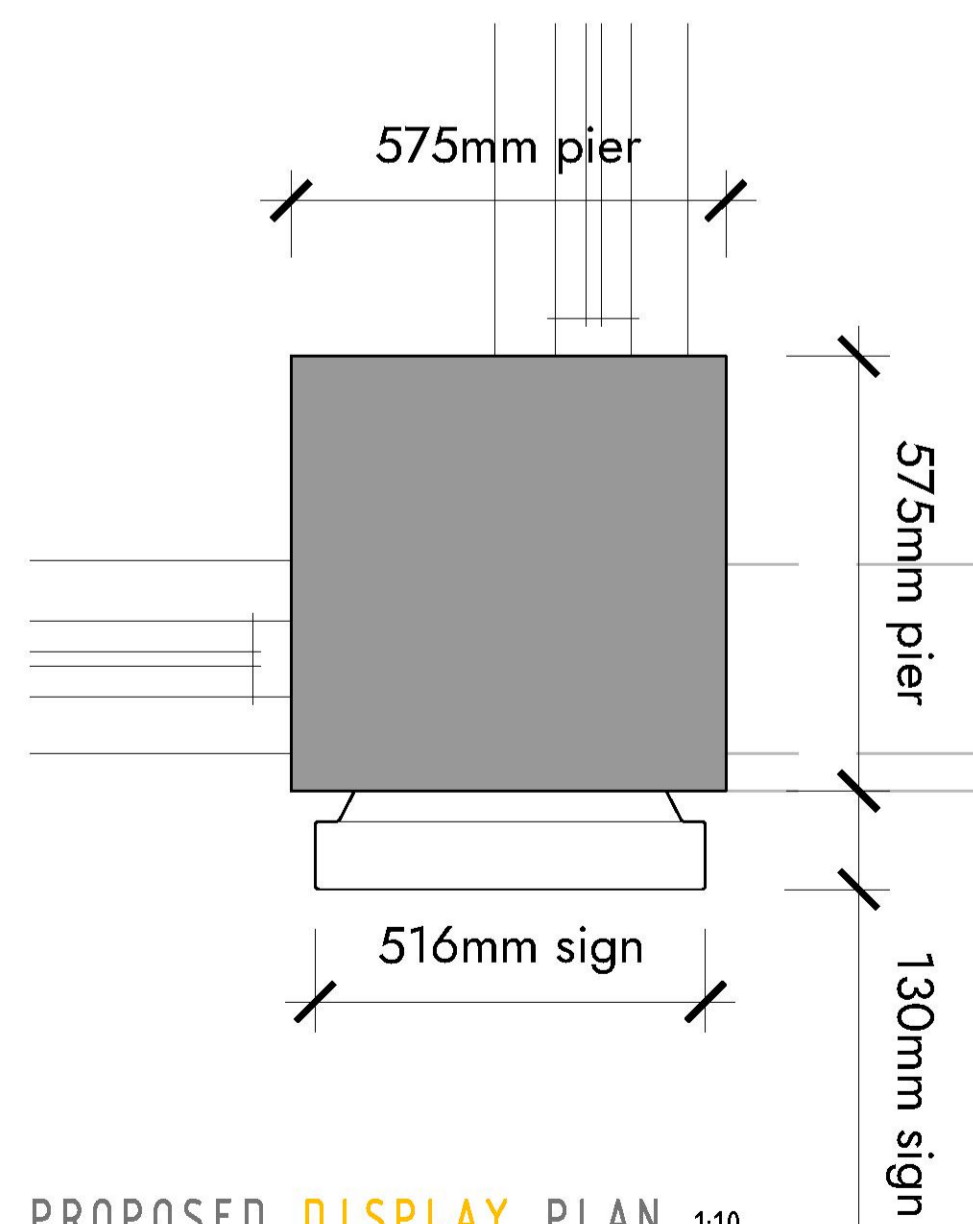
Designed for public spaces  
Thermally-toughened anti reflective glass front

702mm x 396mm display area

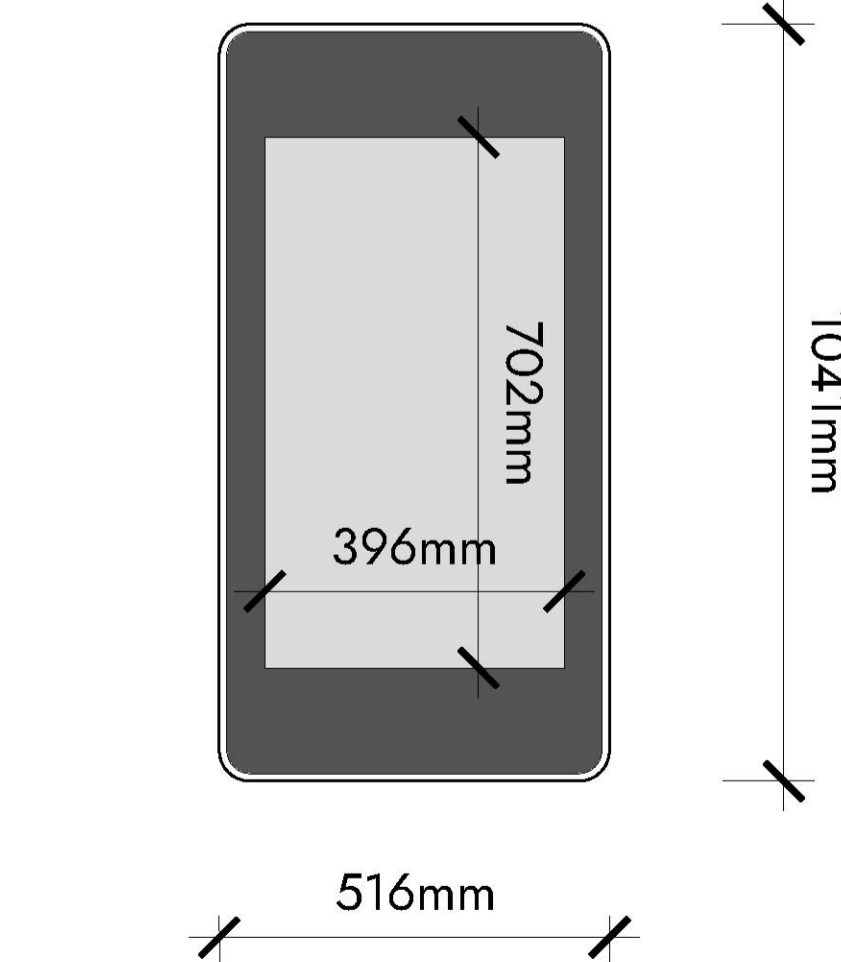
Diagonal Size	32 inch
Screen Resolution	1920 x 1080
Screen Brightness	2500 cd/m <sup>2</sup>



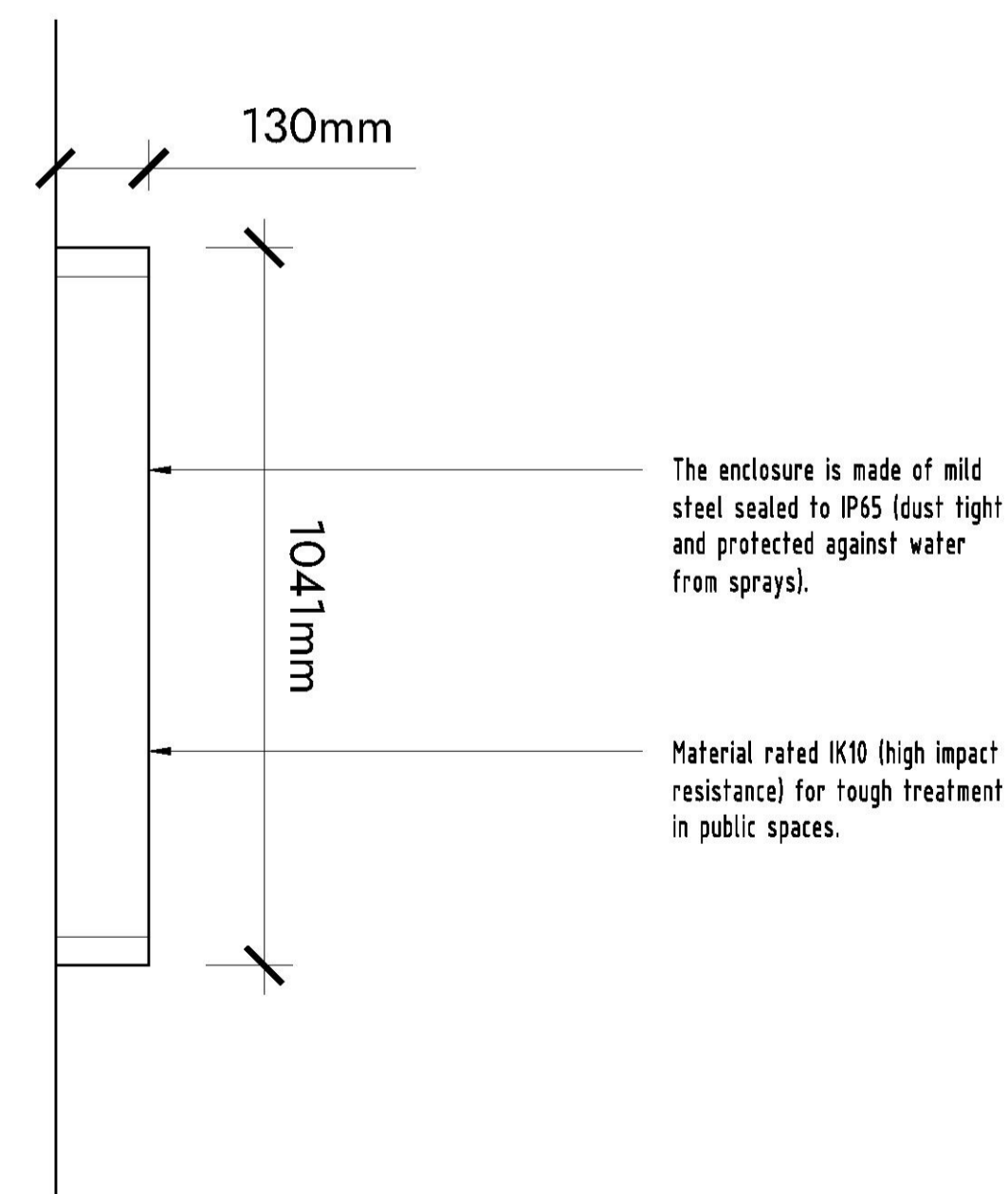
DISPLAY PRECEDENT IMAGE



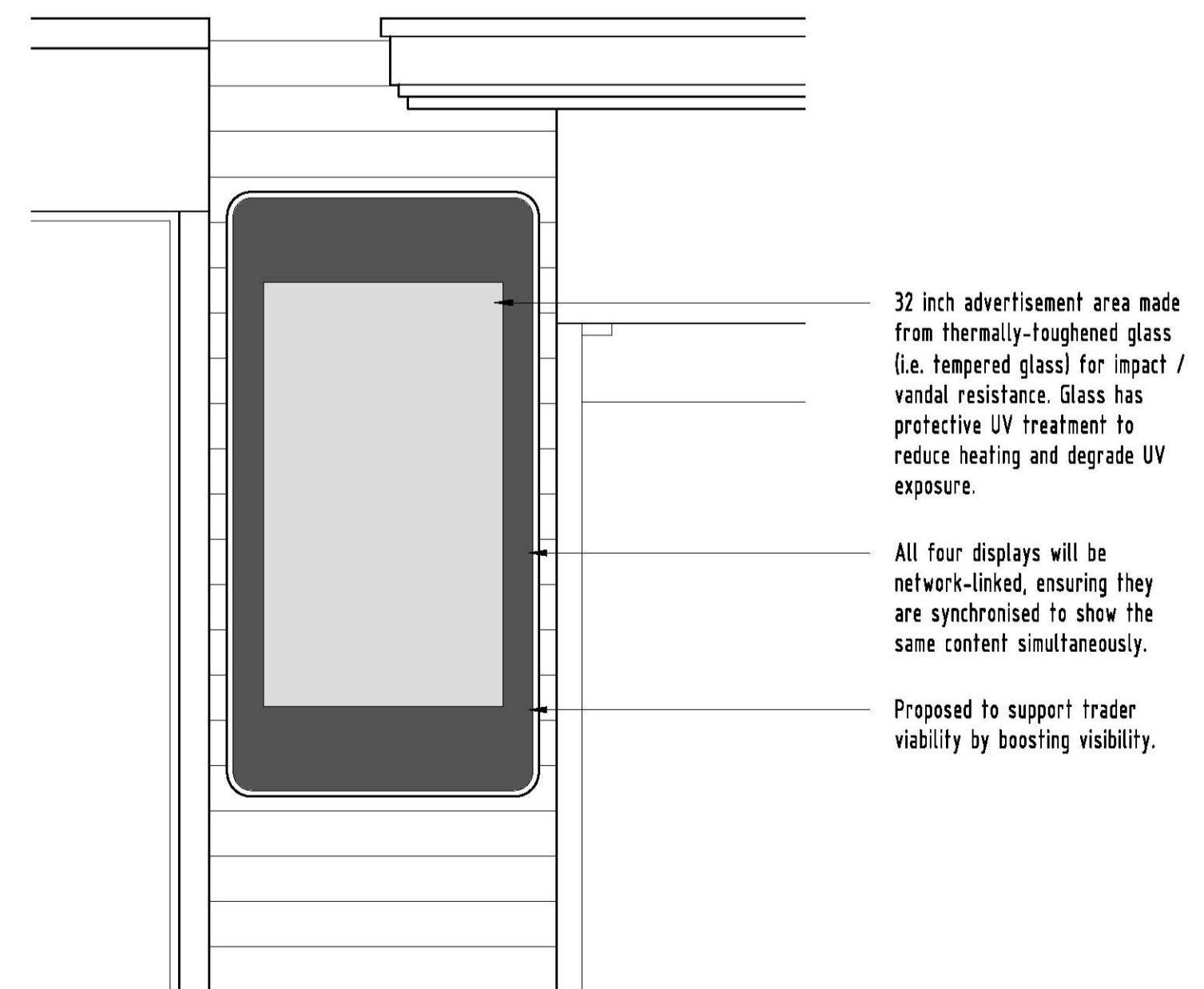
PROPOSED DISPLAY PLAN 1:10



PROPOSED DISPLAY 1:10



DISPLAY SIDE ELEVATION 1:10



DISPLAY FRONT ELEVATION 1:10

Client: Charfleets Promotions Ltd  
Location: Rayleigh Lanes, 89 High Street, Rayleigh, Essex, SS6 7EJ

Project: Advertisement Consent Application

PROPOSED DRAWING

Drawn: SRF  
Scale: Various @ A1  
Drawing No: 25\_180/02

Checked: [blank]  
Date: September 2025  
Rev: [blank]

**BDA**  
ARCHITECTURE  
RIBA  
Chartered Practice  
Studio on the Green  
Ballards Gore Golf Club  
Gore Road, Canewdon, Essex, SS4 2DA  
Telephone: (01702) 543 555  
www.bdaarchitecture.co.uk