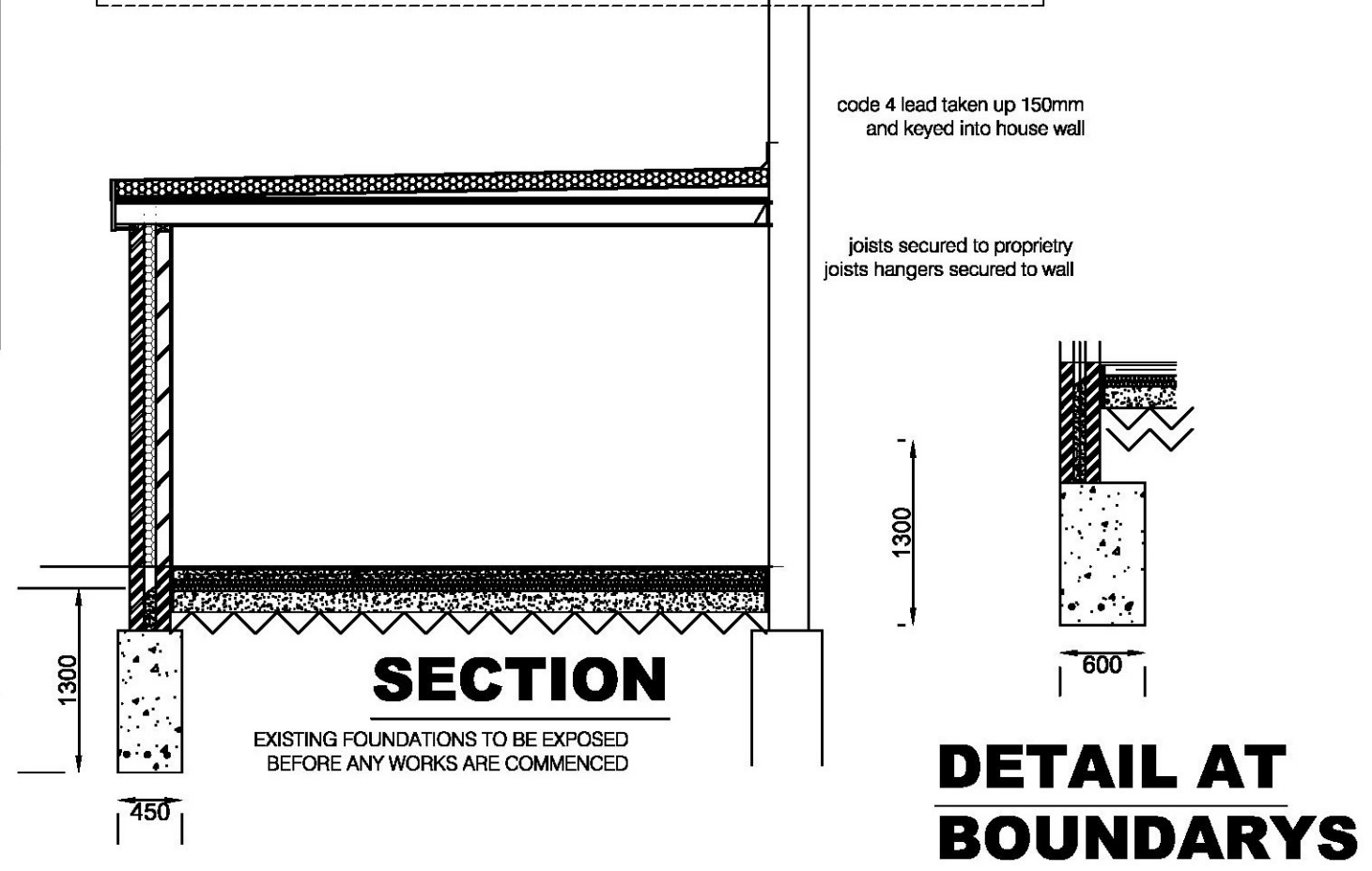
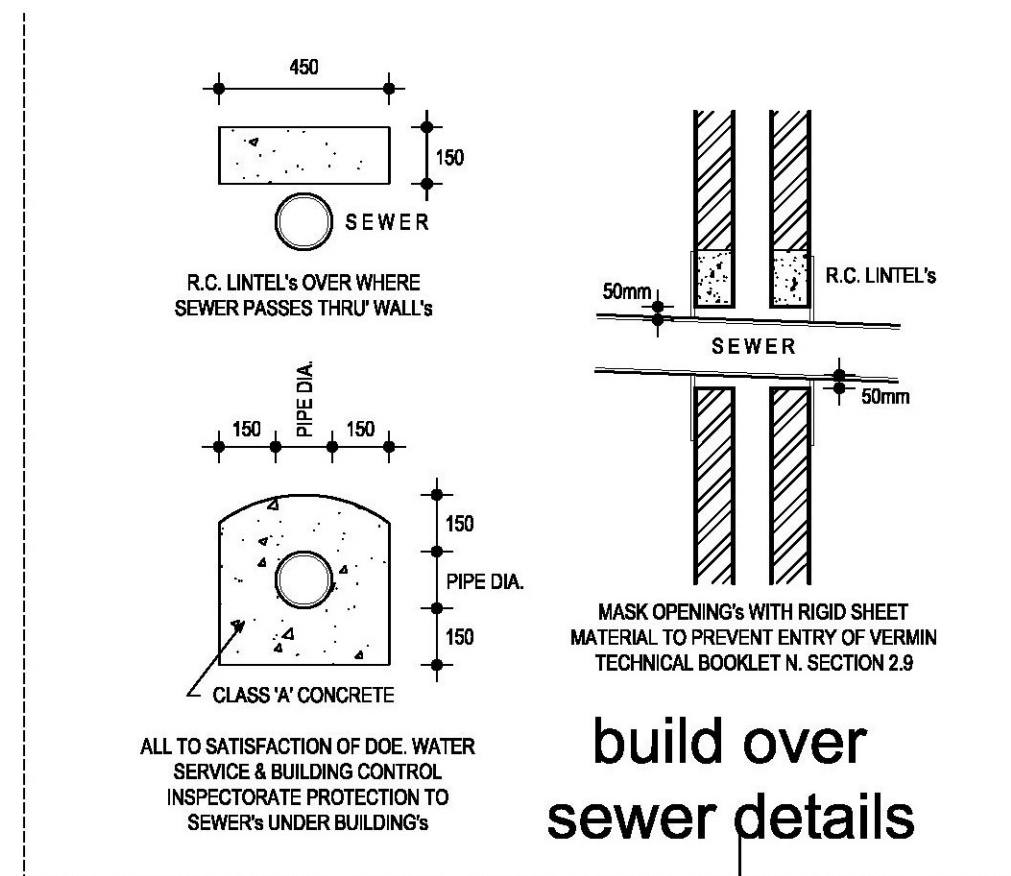


EXISTING GROUND



SECTION

DETAIL AT BOUNDARIES