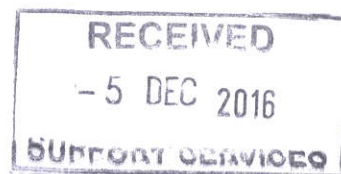


Cavity Drain Systems

- Type C Drained Protection in accordance with BS8102 (2009)
- Suitable for existing, retrofit and new build projects
- Quick and easy to install with minimal surface preparation required
- Tough, studded HDPE, HDPP and PP sheets for internal and external use
- Sympathetic to heritage buildings and in conservation projects



PLATON P8

- BBA approved
- Suitable for use on walls and floors
- Quick and easy to install
- Suitable for use as a Radon barrier

A high-density polyethylene (HDPE) cavity drain membrane which is impermeable and resistant to most chemicals used in building construction. Tough but pliable enough so that it can be formed around corners and projections without the risk of breaking, even in very low temperatures. The product can be easily cut with a knife or scissors.

Specification:

In accordance with NBS Specification J40 (clause 290) – Flexible Sheet Tanking/Damp Proofing. Type C Drained Protection in accordance with BS8102 (2009).

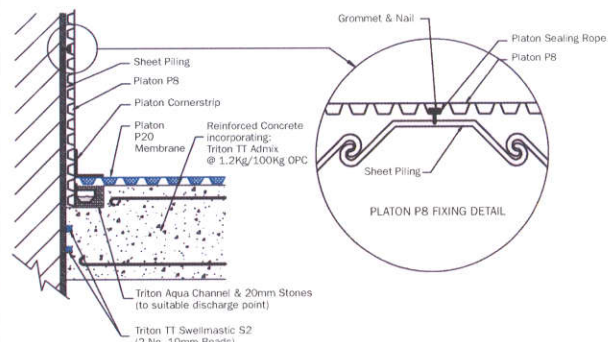
Suitable for use as a Radon barrier in accordance with BRE Report – BR211 (1999) Radon: Guidance on protective measures for new dwellings.

Technical Data:

Roll size:	2.07m x 20m
Stud height (net):	6.5mm
Unit weight:	0.45 kg/m ²
Life expectancy:	At least 50 years for defined applications
Air gap volume:	4.01 l/m ²
Drainage capacity:	Approximately 3.8 l/m ²
Max compressive strength:	150 kN/m ²
Deformation under long term loading:	Max. 20% (at 50 kN/m ²)
Thermal resistance:	0.18 m ² . °C/W
Water vapour resistance:	280m equivalent air layer



PLATON MEMBRANE TO SHEET PILED WALLS



Refer to website or separate brochure for more detailed information about Triton pumps and drainage systems.



PLATON P20

- BBA approved
- Heavy duty, deep studded HDPE cavity drain membrane
- Principally used on floors
- For areas subject to high volume water penetration
- Impermeable to water, gas and water vapour
- Available in roll or sheet form

P20 is a high capacity drainage membrane recommended for use on all floor applications below ground due to its ability to control free flowing water. The deep stud profile is designed to resist blockages caused by lime deposits. P20 Sheet is recommended for easier detailing around columns and access covers etc.

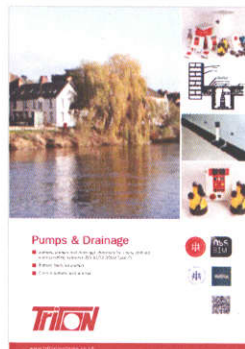
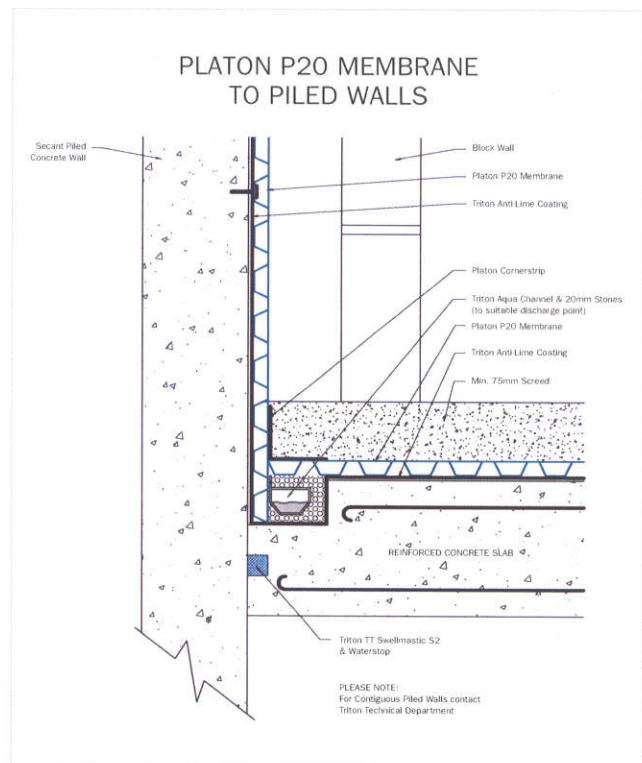
Specification:

In accordance with NBS Specification J40 (clause 290) – Flexible Sheet Tanking/Damp Proofing. Type C Drained Protection in accordance with BS8102 (2009).

Suitable for use as a Radon barrier in accordance with BRE Report – BR211 (1999) Radon: Guidance on protective measures for new dwellings.

Technical Data:

Roll Size:	2m x 20m
Sheet size:	1.36 x 2.22m
Stud height:	20mm
Unit weight:	0.95 kg/m ²
Life Expectancy:	At least 50 years for defined applications
Air Gap Volume:	14 l/m ²
Drainage Capacity:	Approximately 13 l/m ²
Max compressive strength:	240 kN/m ²
Deformation under long term load:	Max. 10% (load of 50 kN/m ²)
Thermal resistance:	0.17m ² .°C/W
Water vapour resistance:	350m equivalent air layer



Refer to website or separate brochure for more detailed information about Triton pumps and drainage systems.



PLATON PLASTER BASE

- BBA approved
- HDPE cavity drain membrane for direct plastering
- Single component, no mesh or fabric layer
- Unique undercut stud design creates mechanical key for plaster
- Easy to cut, fix and seal
- Impermeable to water, gas and water vapour
- Compatible with other Platon membranes

Platon Plaster Base can be installed on internal walls and vaulted ceilings above or below ground level. The substrate remains visible through the clear membrane for precise fixing. It is suitable for use with sand and cement renders and most lightweight and renovating plasters. Plasterboard can be fixed directly to the membrane using the 'Dot and Dab' method.

Specification:

In accordance with NBS Specification J40 (clause 290) – Flexible Sheet Tanking/Damp Proofing. Type C Drained Protection in accordance with BS8102 (2009).

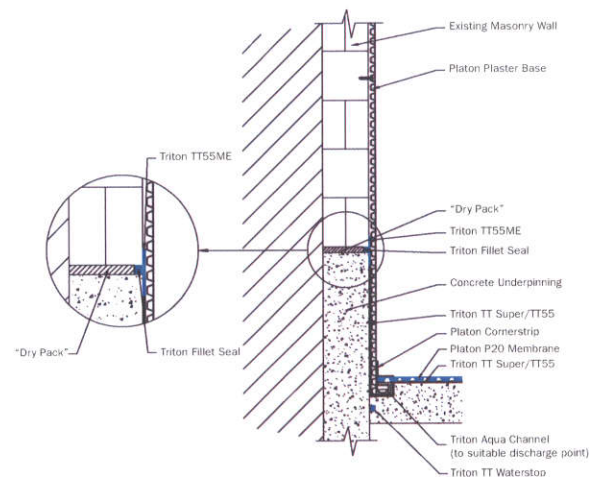
Suitable for use as a Radon barrier in accordance with BRE Report – BR211 (1999) Radon: Guidance on protective measures for new dwellings.

Technical Data:

Roll size:	2m x 20m
Stud height:	5mm
Unit weight:	0.48 kg/m ²
Life expectancy:	At least 50 years for defined applications
Air gap volume:	3.2 l/m ²
Drainage capacity:	Approximately 1.84 l/m ²



PLATON MEMBRANE TO UNDERPINNING DETAIL



Refer to website or separate brochure for more detailed information about Triton pumps and drainage systems.



PLATON PLASTER MESH

- HDPE membrane with integrated mesh layer for direct plastering
- For internal application on walls above or below ground level
- Compatible with other Platon membranes

Platon Plaster Mesh is a double layered cavity drain membrane comprising a studded HDPE layer bonded to an 'HDPE twist' mesh layer which forms a key for most common plasters and renders. Plasterboard can be fixed directly to the membrane using the 'Dot and Dab' method. As with other Platon membranes, Platon Plaster Mesh can be fixed directly to existing wall finishes without the need for extensive hacking off or preparation.

Specification:

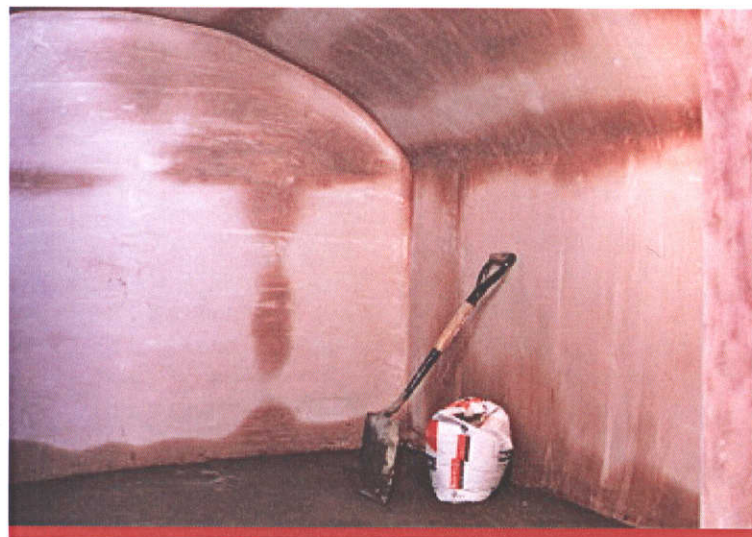
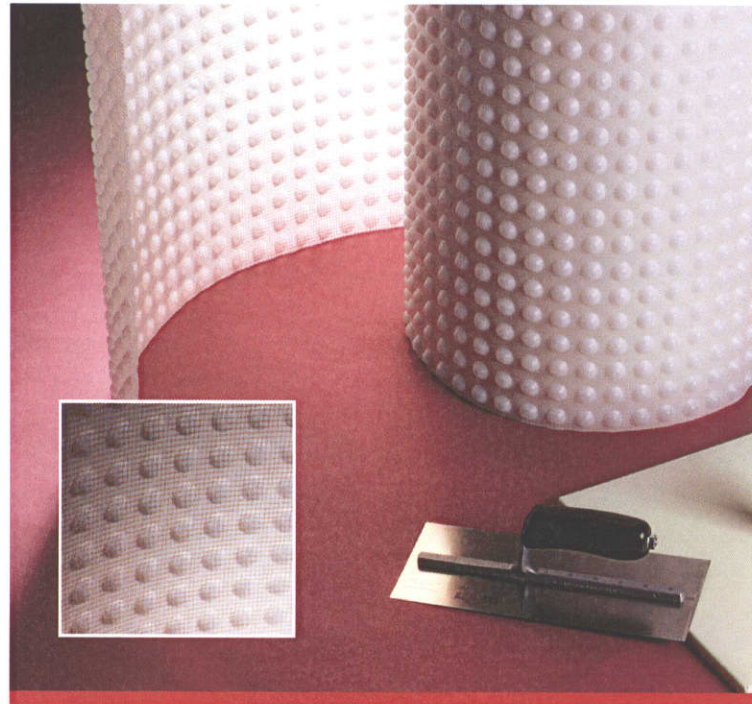
In accordance with NBS Specification J40 (clause 290) – Flexible Sheet Tanking/Damp Proofing. Type C Drained Protection in accordance with BS8102 (2009).

Technical Data:

Roll size:	2.0m x 20m
Stud height:	8mm
Unit weight:	0.7 kg/m ²
Life expectancy:	At least 50 years for defined applications
Air gap volume:	5.5 l/m ²
Drainage capacity:	Approximately 4.0 l/m ²

PLATON CAVITY DRAIN MEMBRANES – ANCILLARIES

Platon Brick Plugs	10mm x 75mm (100/box)
Platon Plaster Plugs	8mm x 70mm (500/box)
Platon Sealing Tape	2mm x 30mm x 20m (5/box)
Platon Sealing Rope	10mm x 5m (10/box)
Platon Overtape	115mm x 1mm x 25m
Platon Corner Strip	150mm x 1.5mm x 10m
Platon X Cramps	60 per box
Platon Top Edge Mould	2m
Platon Sealer	300ml cartridge



Platon Brick Plugs



PLATON P5

- Economical 5mm HDPE cavity drain membrane
- Suitable for both walls and floors, above or below ground
- Impermeable to water, gas and water vapour
- Compatible with other Platon membranes

P5 is a tough and economical membrane for both remedial and new build construction. It is suitable for sub-ground waterproofing and also for use above ground to isolate walls which are damp or contaminated with salts.

P5 can be dry lined on walls, screeded or a floating dry board system fitted on floors.

Specification:

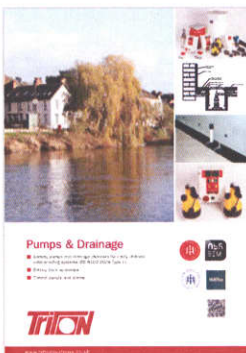
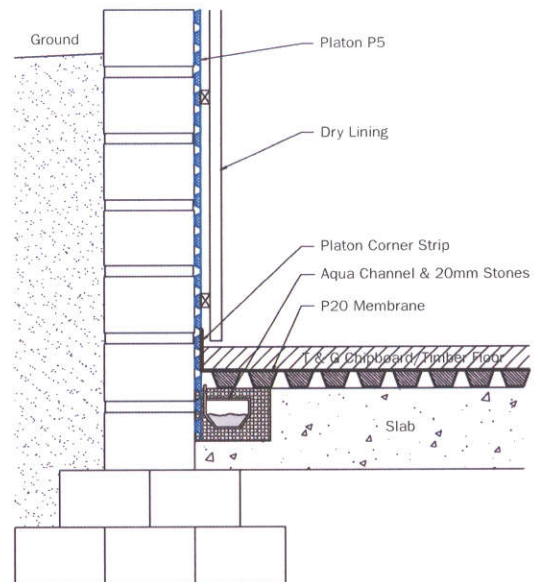
In accordance with NBS Specification J40 (clause 290) – Flexible Sheet Tanking/Damp Proofing. Type C Drained Protection in accordance with BS8102 (2009)

Technical Data:

Roll size:	2.07m x 20m 2.47m x 20m
Stud height:	5mm
Unit weight:	0.48 kg/m ²
Life expectancy:	At least 50 years for defined applications
Air gap volume:	4.01 l/m ²
Drainage capacity:	Approximately 2.4 l/m ²
Max compressive strength:	180 kN/m ²
Deformation under long term loading:	Max. 25% (at 50 kN/m ²)
Thermal resistance:	0.10 m ² .°C/W
Water vapour resistance:	350m equivalent air layer



TYPICAL WALL/FLOOR DETAIL BELOW GROUND



Refer to website or separate brochure for more detailed information about Triton pumps and drainage systems.



PLATON DOUBLE DRAIN

- A membrane system for external basement walls which protects underlying waterproofing from backfill damage
- Filter fabric layer ensures soil cannot enter membrane cavities to impede drainage
- De-pressurisation and drainage layer for horizontal and vertical surfaces

Platon Double Drain is a dual layer external drainage and protection membrane for use on retaining walls, terraces, balconies, podium decks etc.

Specification:

In accordance with NBS Specification J40 (clauses 290/295/380) – Flexible Sheet Tanking/Damp Proofing. Type C Drained Protection in accordance with BS8102 (2009).

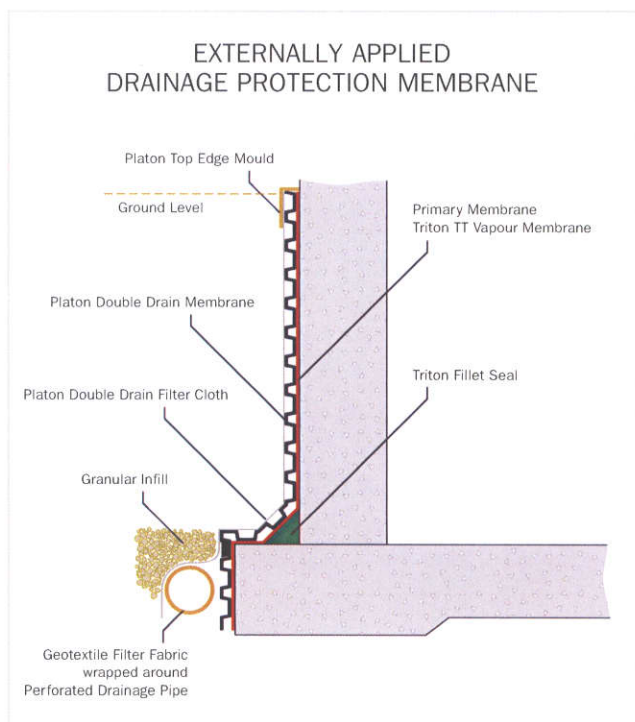
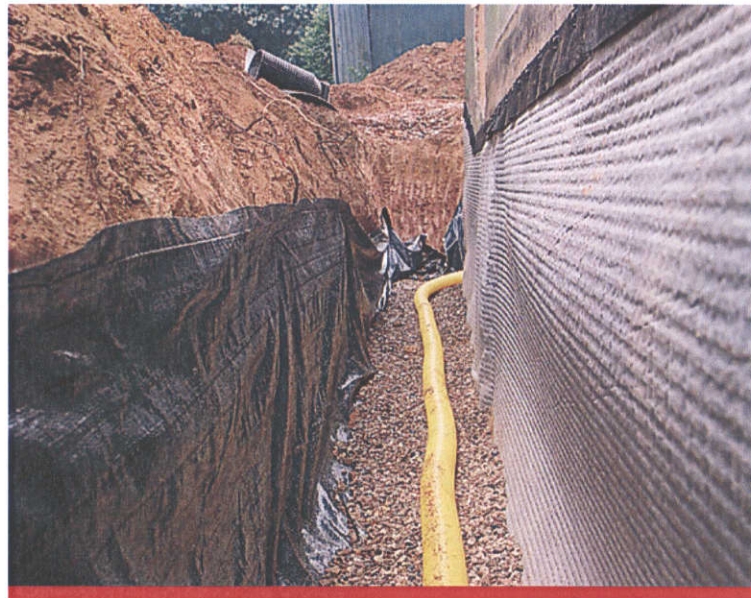
Suitable for use as a Radon barrier in accordance with BRE Report – BR211 (1999) Radon: Guidance on protective measures for new dwellings.

Installation:

Platon Double Drain can be fixed vertically or horizontally to suit the application. It must be installed over a primary membrane, such as Triton TT Vapour Membrane or Triton TWS EX-100 self-adhesive sheet membrane. Fix Double Drain along the top edge above the primary membrane, with Platon Double Drain cramps at 250mm centres. Overlap vertical joints by 500mm and horizontal joints by 150mm. Filter fabric can be pulled back for successive overlap of the membrane and filter fabric. Fix Platon Top Edge Moulding along the top edge of the membrane to avoid debris or backfill material from blocking the drainage channels. Ensure adequate drainage from Platon Double Drain to drainage pipes.

Technical Data:

Roll size:	2.0m x 15m
Stud height:	8mm
Unit weight:	0.58 kg/m ²
Life expectancy:	At least 50 years for defined applications
Air gap volume:	4.0 l/m ²
Drainage capacity:	Approximately 2.3 l/m ²
Max compressive strength:	200 kN/m ²





Triton Systems supplies high performance cavity drain, watertight concrete, cementitious and liquid applied and fully bonded waterproofing systems designed to meet BS 8102 (2009). These are complemented by flooring, roofing and gas barrier systems and traditional timber preservation and damp proofing products.

Available for download at tritonsystems.co.uk:

- BIM Objects
- Booking forms for training courses and RIBA approved CPD seminars
- Technical and Material Safety Data Sheets for all Triton products
- CAD drawings for all Triton products
- Installation guides
- Product literature
- CE Marking Certificates
- Case studies



Triton Systems

Units 3 – 5 Crayford Commercial Centre, Greyhound Way, Crayford, Kent DA1 4HF
Tel: 01322 318830 Fax: 01322 524017 Email: info@tritonsystems.co.uk

Triton Chemical Manufacturing Co Ltd trading as Triton Systems